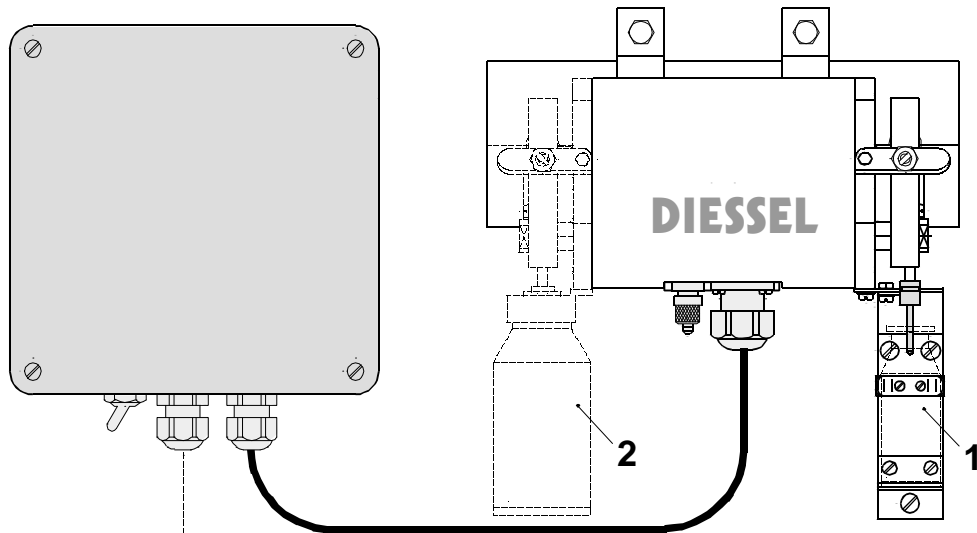


PS4S (D75.25E)

System with separated electron. control elements and two pump heads

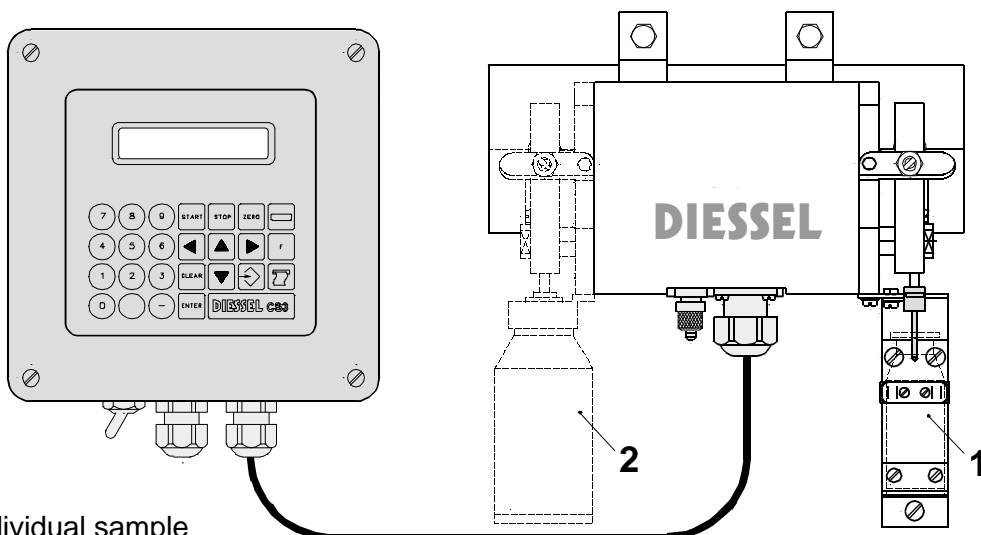


- 1 individual sample
- 2 four sample (option)

CS3-BUS
oder
max. 2 IN

PS4I (D75.26E)

“Stand alone“ system with separated time or volume control and operating unit and two pump heads



- 1 individual sample
- 2 four sample (option)