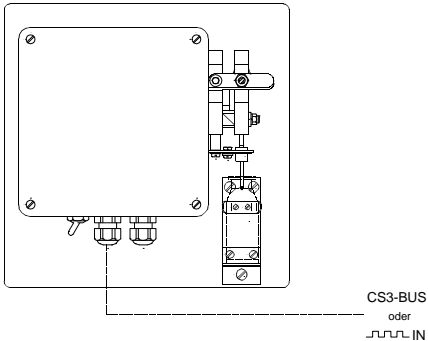


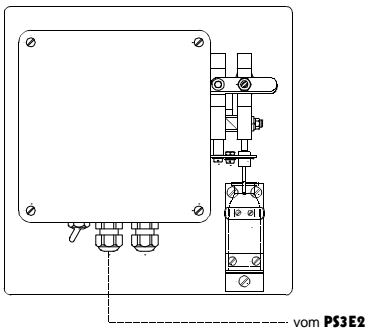
PS3E1 (D75.22E)

Basic unit with pump head and integrated electronic control elements



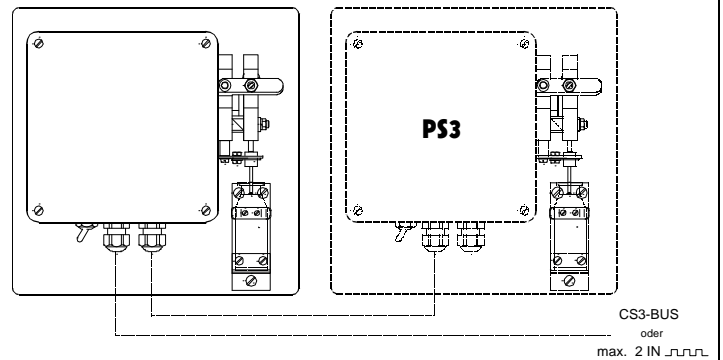
PS3 (D75.22E)

Basic unit with pump head
(without electronic control elements)



PS3E2 (D75.22E)

Basic unit with pump head and integrated
electronic control elements for second basic
unit (PS3)



PS3I (D75.24E)

“Stand alone” system with pump head, integrated time or volume control and operating unit

