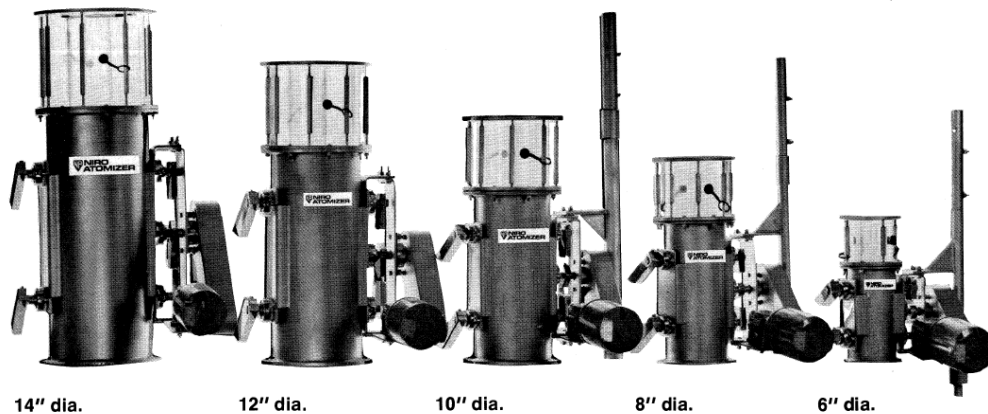


# Niro Cycle Valve & VFSI Sightglass

Developed specifically as a means of providing an airlock between the outlet of a vessel and atmosphere. Two (2) cam operated flappers alternately open and close to allow powder to flow first to an inner chamber and then to the outlet.

Food Grade Finish, 304 SS , TENV 230/460-60-3 Motor. 316 SS available on request



14" dia.

12" dia.

10" dia.

8" dia.

6" dia.

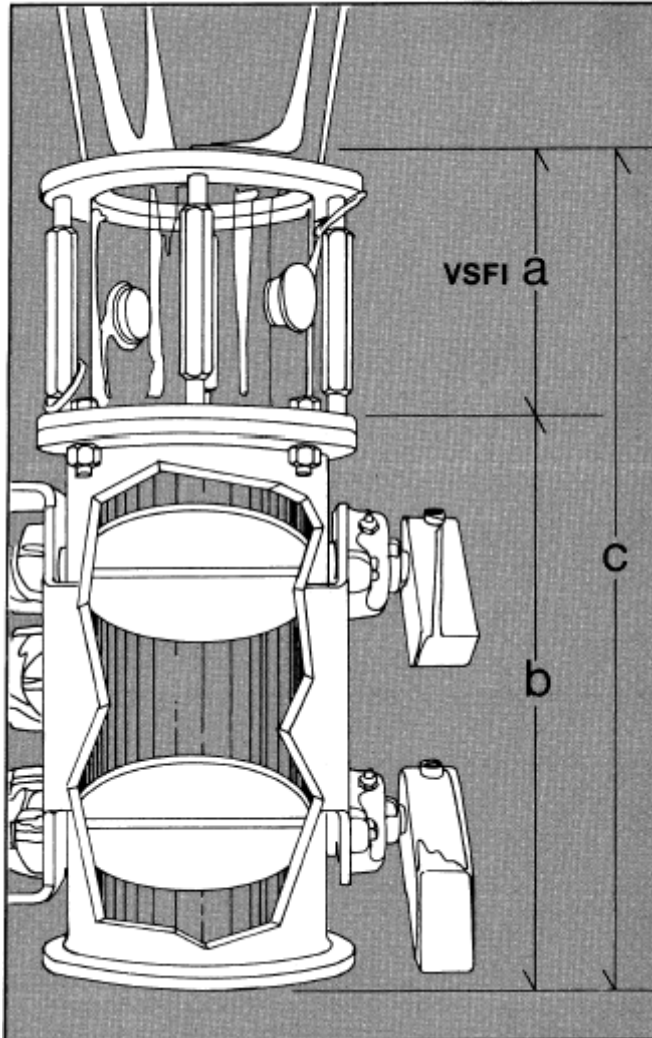
Size	Capacity	Weight	List Price
6"	Up to 1500 lbs	120 lbs	Call
8"	Up to 3500 lbs	165 lbs`	to
10"	Up to 5000 lbs	215 lbs	inquire
12"	Up to 8000 lbs	316 lbs	about
14"	Up to 11,000 lbs	442 lbs	prices

## Niro Cycle Valve & VFSI Sightglass

### VFSI Sightglass

Size List Price

4"	Call
6"	to
8"	inquire
10"	About
12"	current
14"	prices



The Cycle Valve is available in 304 and 316 SS. The unit can be CIPed and is available with air purged shaft seals if required.

Both the Niro Cycle Valve and the VFSI Sightglass are supported with spare parts by Niro's After Market Sales Group.

	6	8	10	12	14	inch dia
a	6 ¾	8 ¾	10 ½	12 ½	14 ½	
b	13	19 ½	24	30	36	
c	19 ¾	28 ¾	34 ½	42 ½	50 ½	

